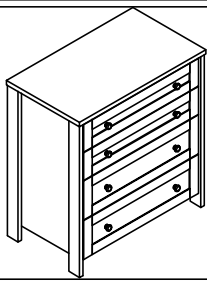
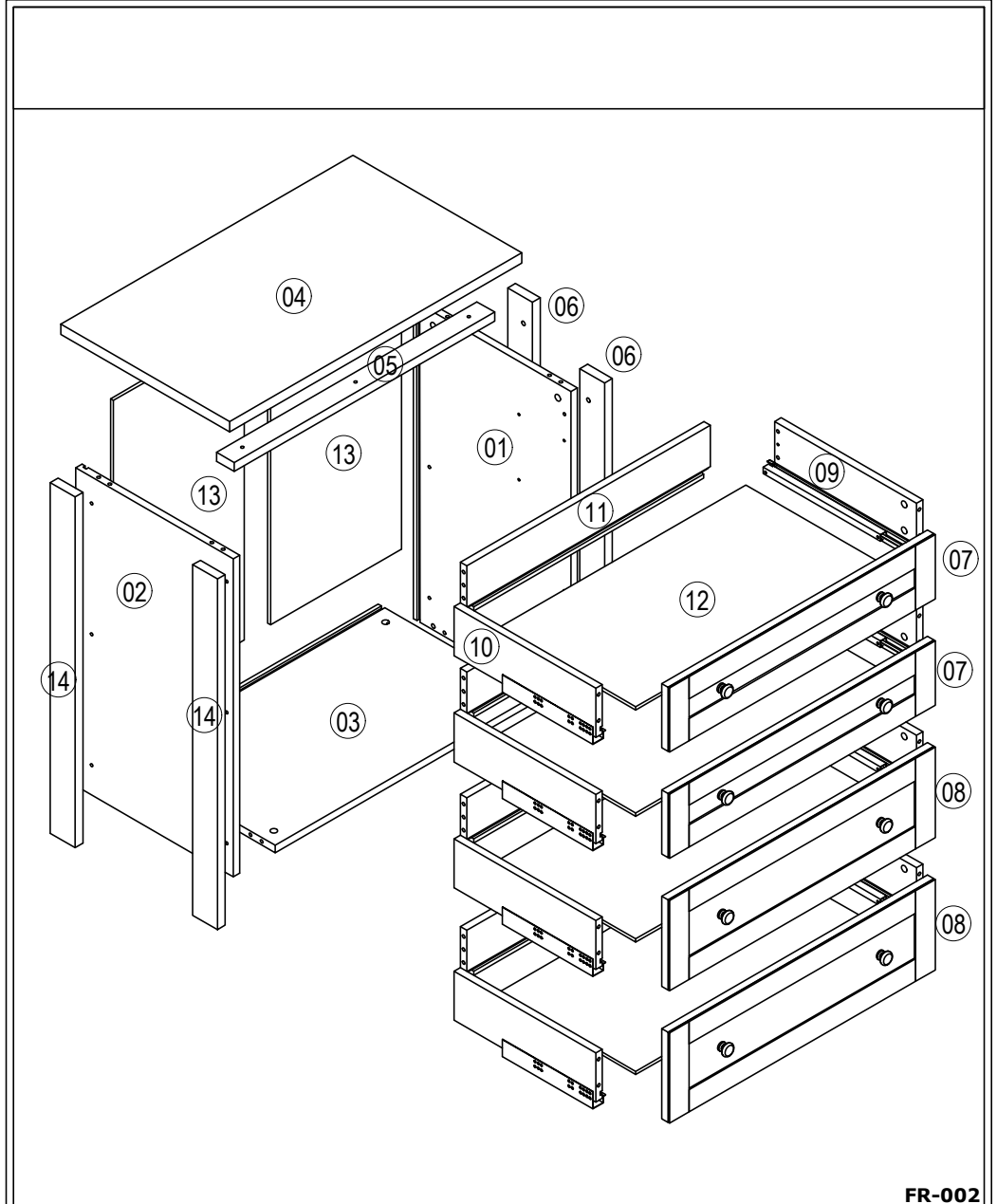


**FLORENCE COMMODE 2143**

**ACCESSORIES LIST**



<p>ACCESSORIE NO : 317 10'LUK MINİFIX MİL</p> <p><b>32 ADET</b></p>	<p>ACCESSORIE NO : 002 TİTUS MINİFIX GÖVDE</p> <p><b>32 ADET</b></p>	<p>ACCESSORIE NO : 004 Ø8x30 KAVELA</p> <p><b>32 ADET</b></p>	<p>ACCESSORIE NO : 011 ARKALIK SABİTLEME 3.5x25 S.VİDASTI</p> <p><b>8 ADET</b></p>	<p>ACCESSORIE NO : 020 MINİFIX TAPA</p> <p><b>16 ADET</b></p>
<p>ACCESSORIE NO : 351 TANDEM RAY 400 (SAMET)</p> <p><b>4 TAKIM</b></p>	<p>ACCESSORIE NO : 120 6.3*13 MM EURO VİDA</p> <p><b>24 ADET</b></p>	<p>ACCESSORIE NO : 406 PLS. RAF PİMİ EURO VİDALI</p> <p><b>8 ADET</b></p>	<p>ACCESSORIE NO : 105 M6*30 VİDA</p> <p><b>15 ADET</b></p>	<p>ACCESSORIE NO : 481 OSLO TEKLİ KULP</p> <p><b>8 ADET</b></p>
				<p>ACCESSORIE NO : 104 M4*25 MM VİDA</p> <p><b>8 ADET</b></p>



FR-002

NO	ADET/PCS	NO	ADET/PCS	NO	ADET/PCS
01	1	11	4		
02	1	12	4		
03	1	13	2		
04	1	14	2		
05	1				
06	2				
07	2				
08	2				
09	4				
10	4				

# INSTALLATION STEPS

