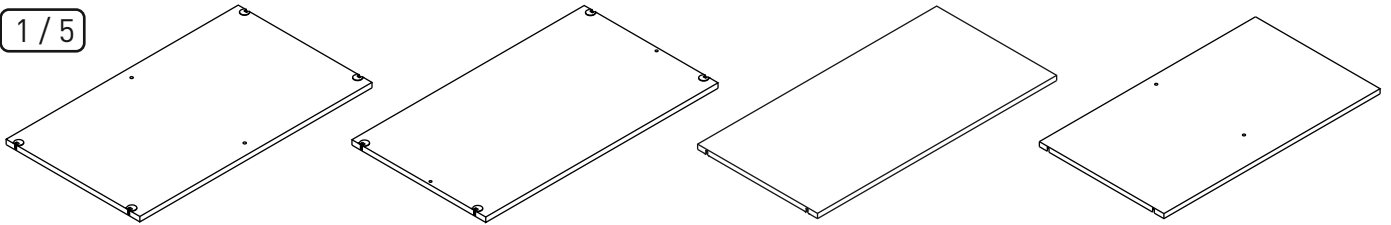


1/5

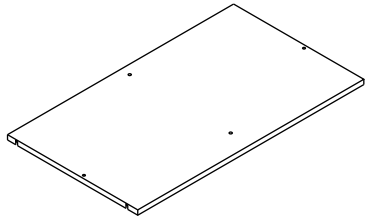


18.54.1003.007 x 1

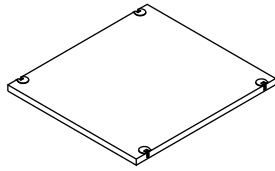
18.54.1003.006 x 1

18.54.1003.010 x 1

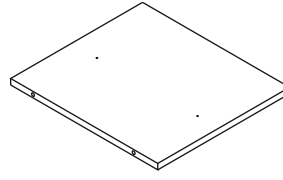
18.54.1003.011 x 1



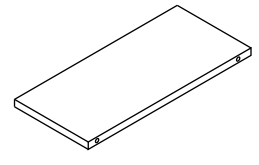
18.54.1003.012 x 1



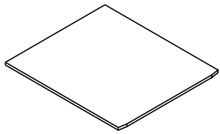
18.54.1003.019 x 1



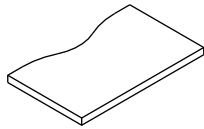
18.54.1003.009 x 1



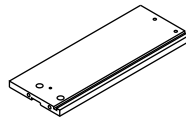
18.54.1003.013 x 2



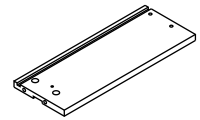
18.54.1003.018 x 2



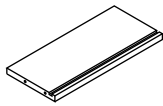
18.54.1003.014 x 2



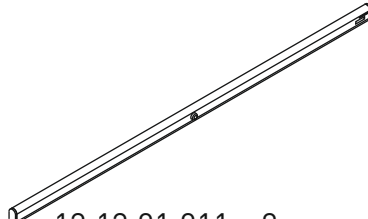
18.54.1003.015 x 2



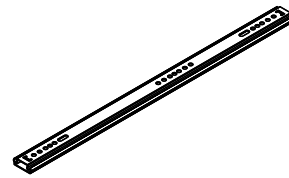
18.54.1003.016 x 2



18.54.1003.017 x 2

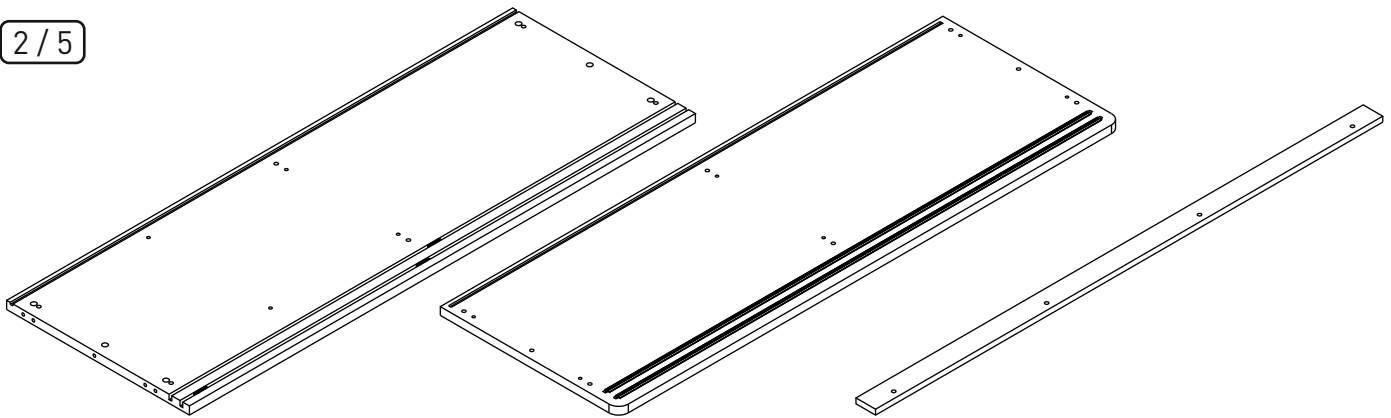


13.13.01.011 x 2



13.05.01.008 x 4

2/5

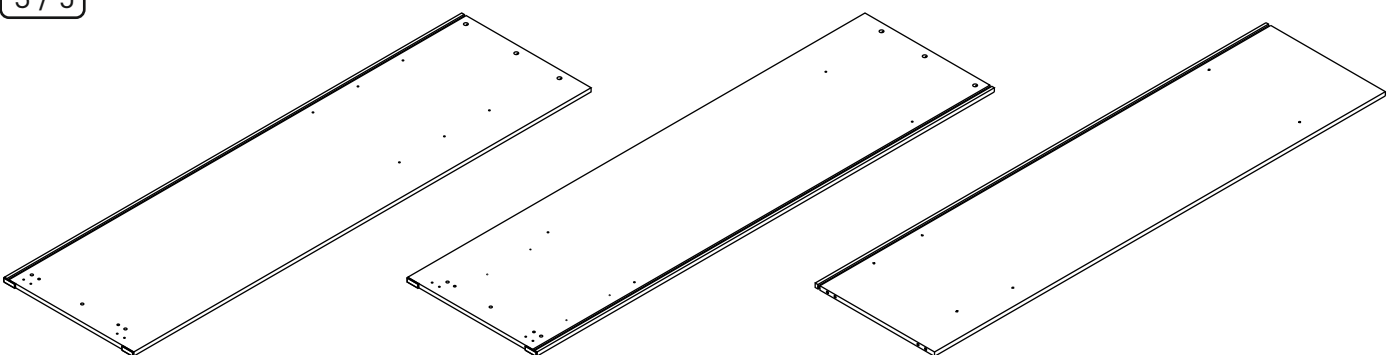


18.54.1003.003 x 1

18.54.1003.004 x 1

18.54.1003.008 x 2

3/5



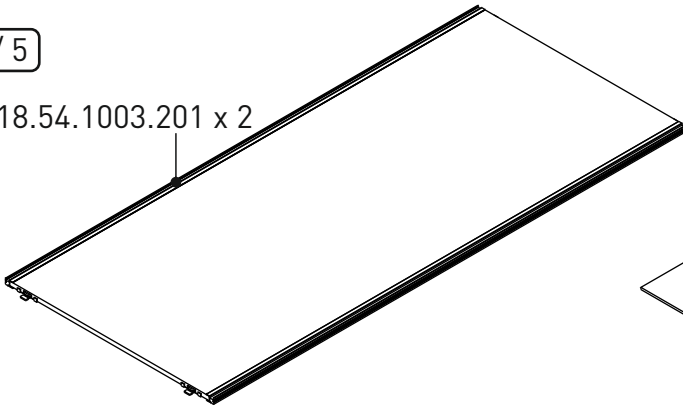
18.54.1003.002 x 1

18.54.1003.001 x 1

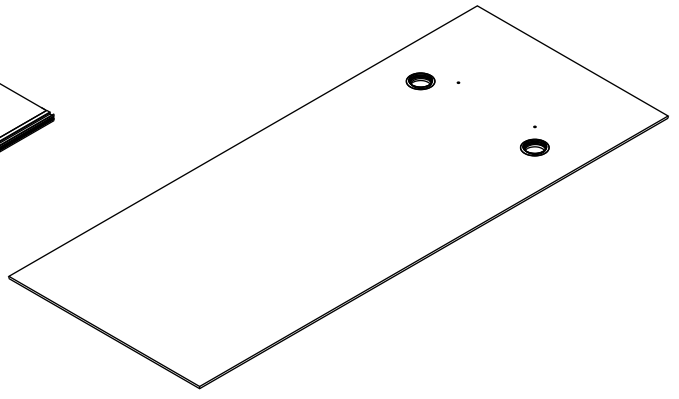
18.54.1003.005 x 1

4 / 5

18.54.1003.201 x 2



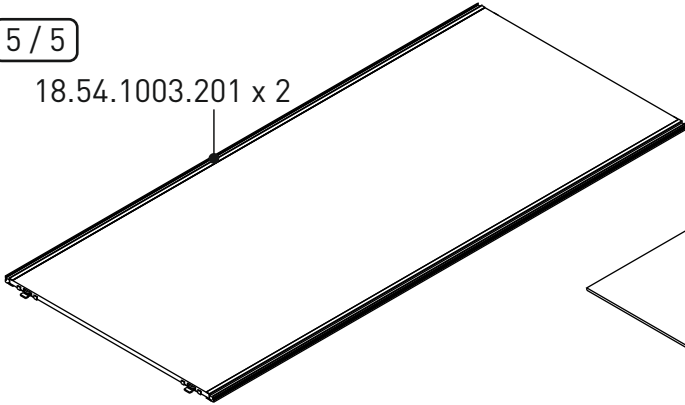
18.54.1003.022 x 1



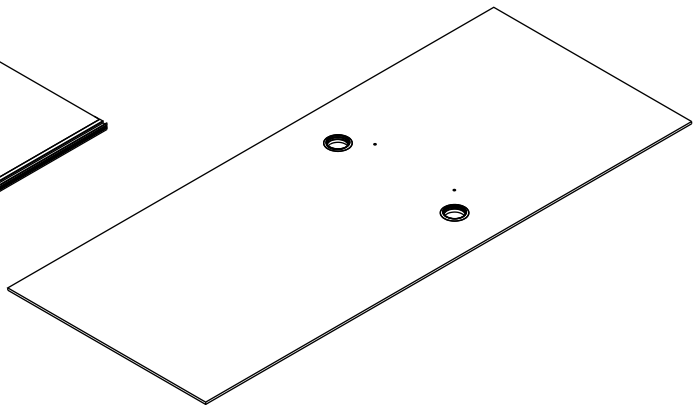
18.54.1003.020 x 1

5 / 5

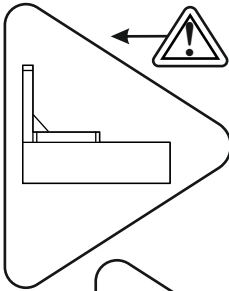
18.54.1003.201 x 2



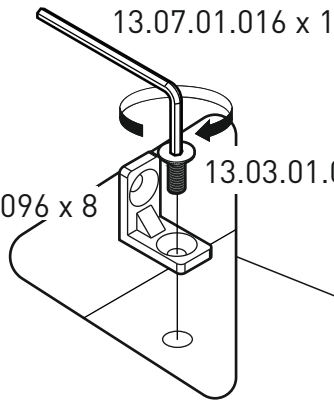
18.54.1003.023 x 1



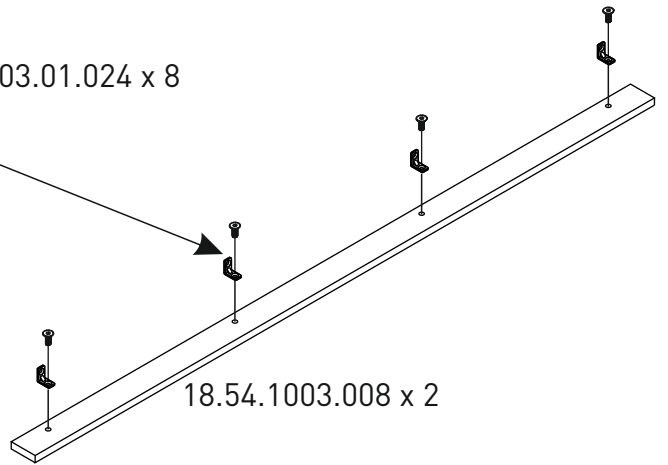
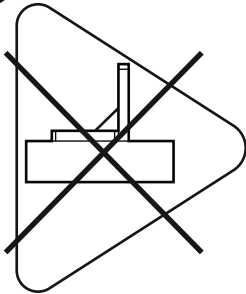
18.54.1003.021 x 1



13.07.01.096 x 8

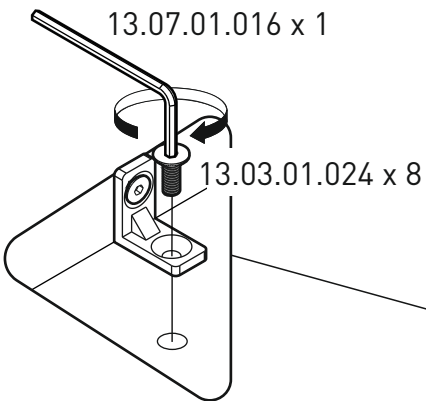


1



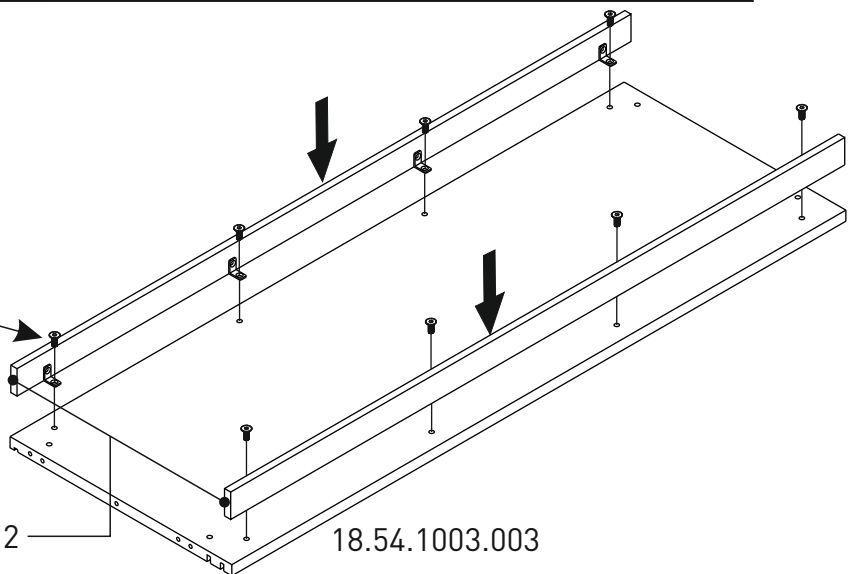
18.54.1003.008 x 2

2



13.07.01.016 x 1

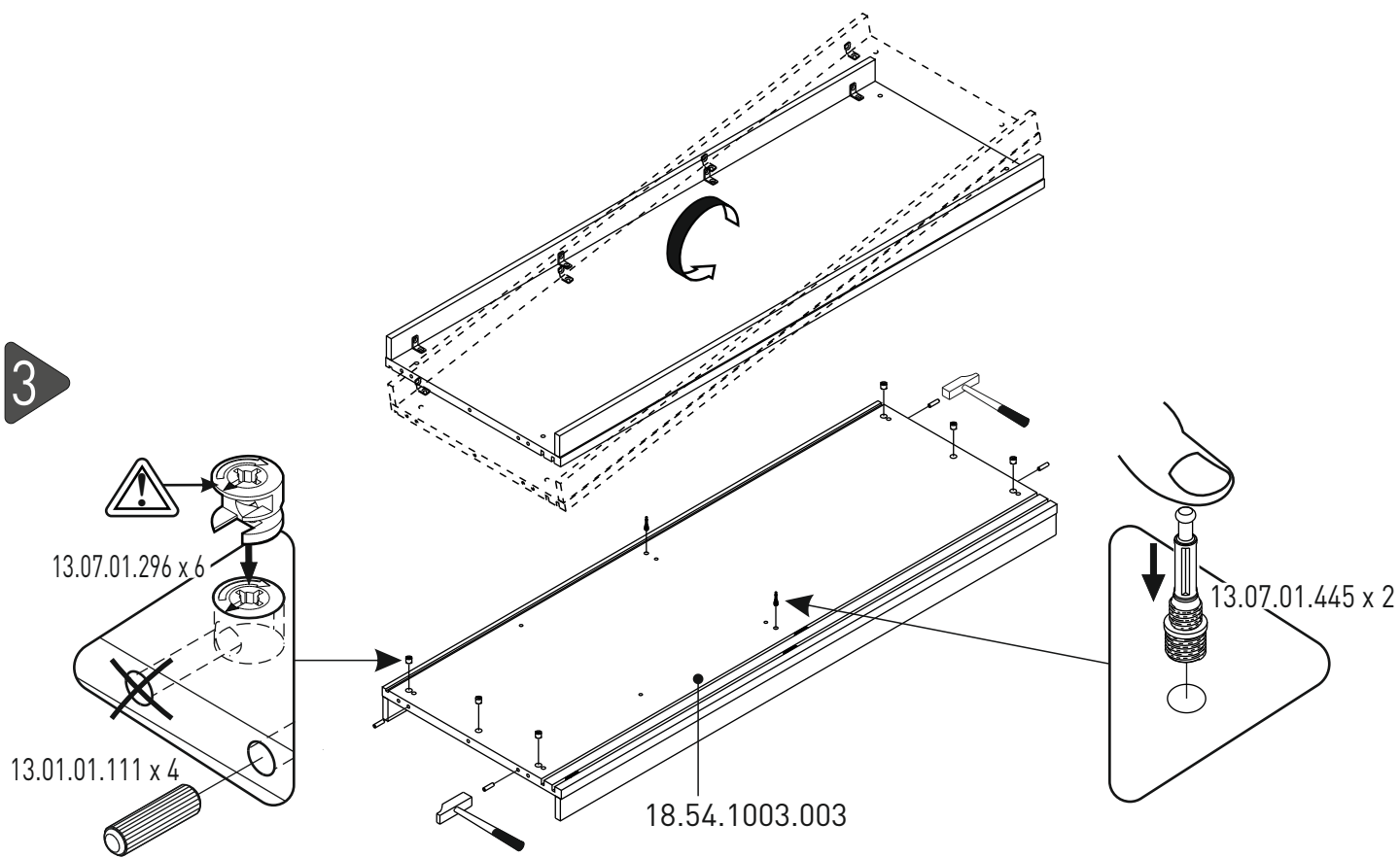
13.03.01.024 x 8



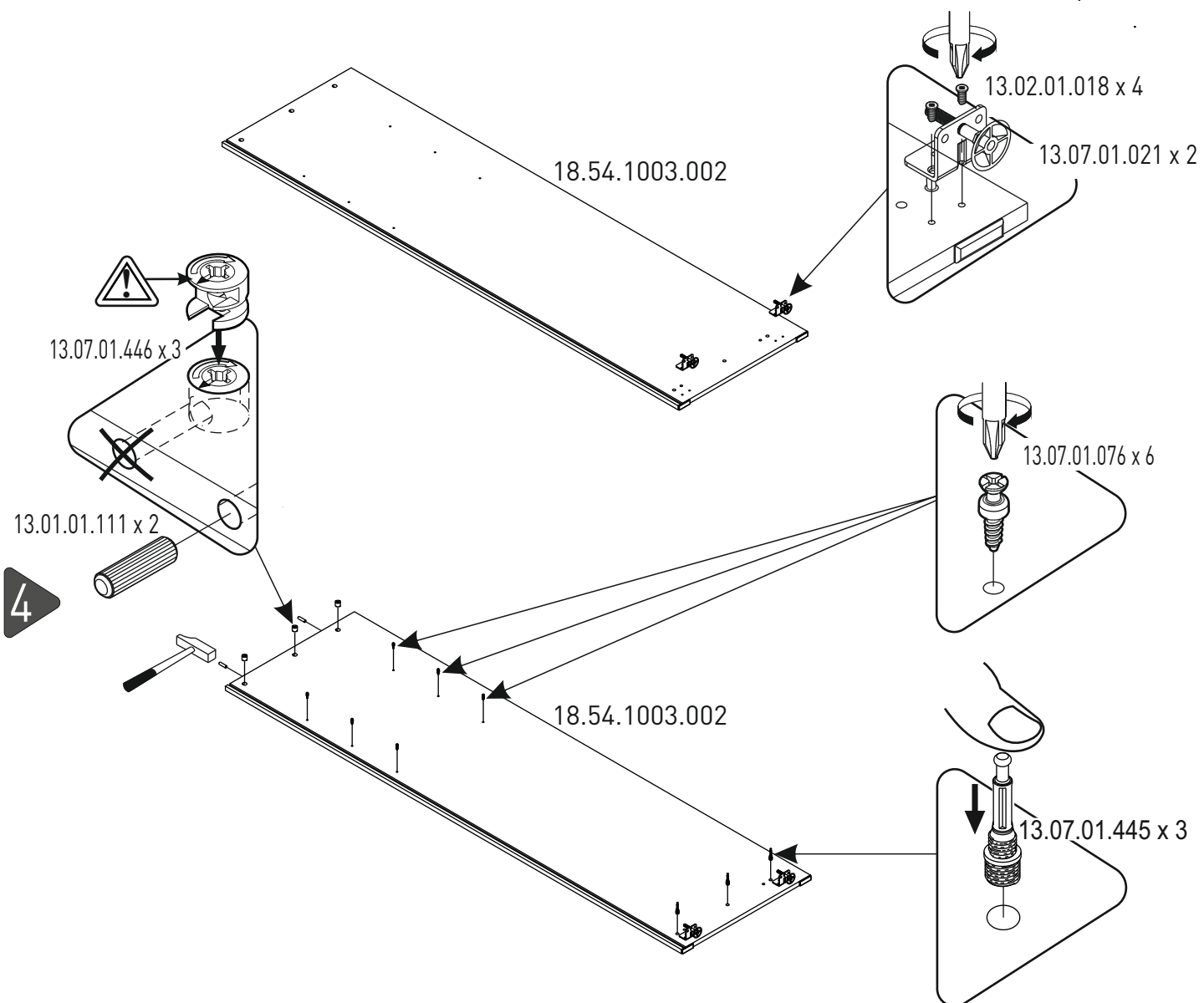
18.54.1003.008 x 2

18.54.1003.003

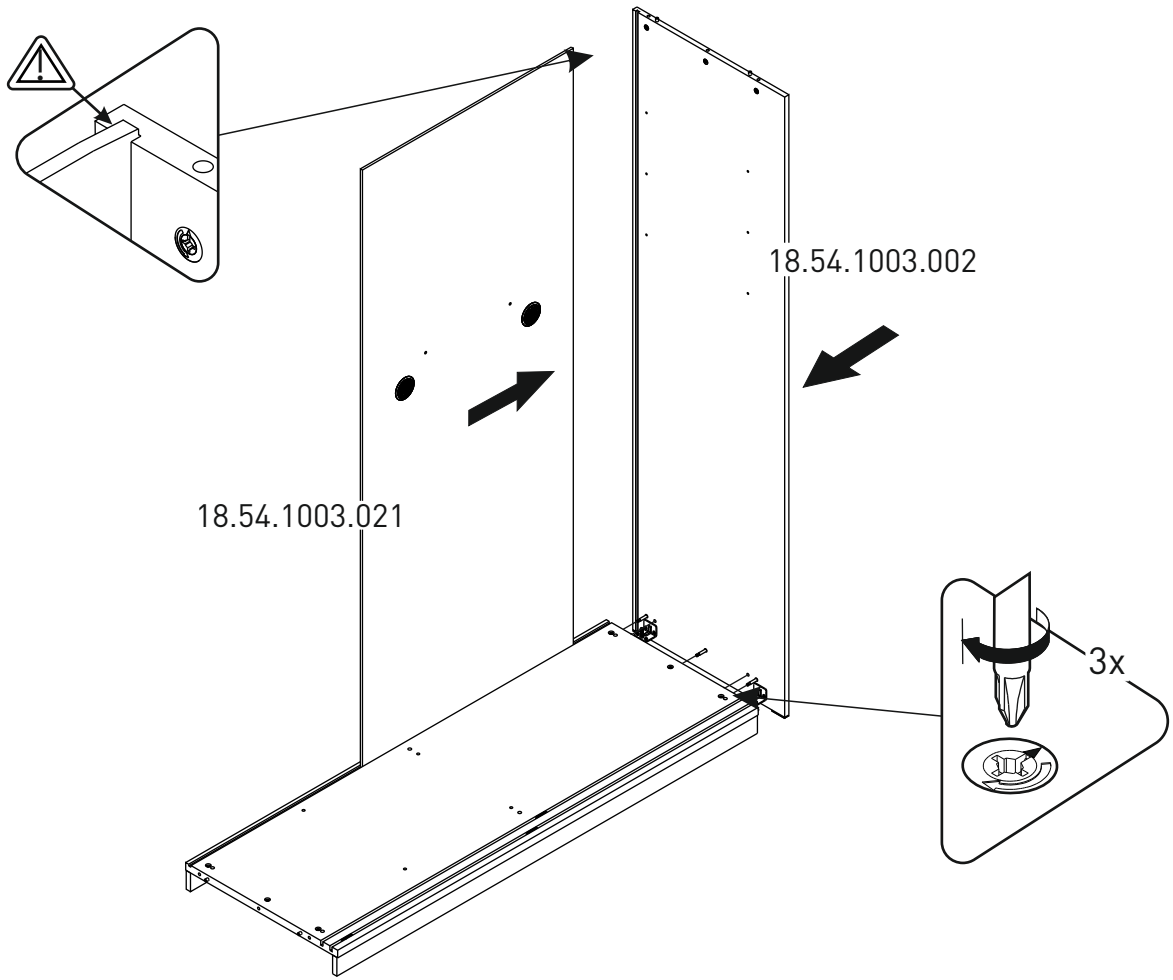
3



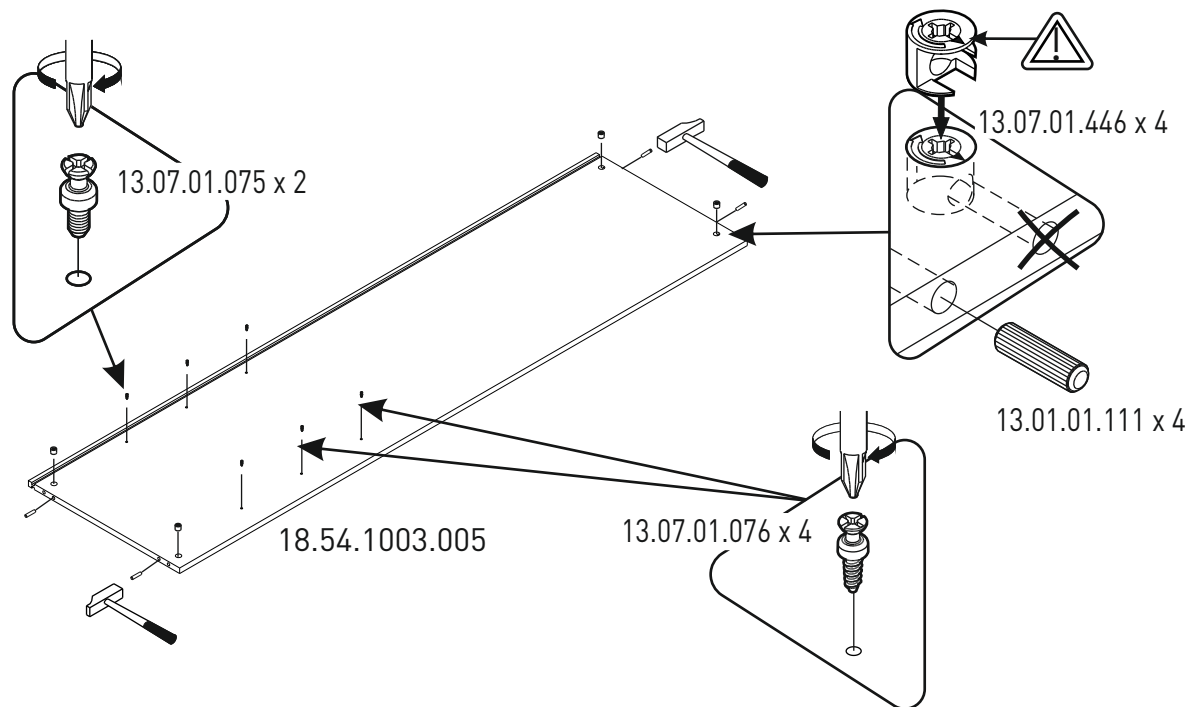
4



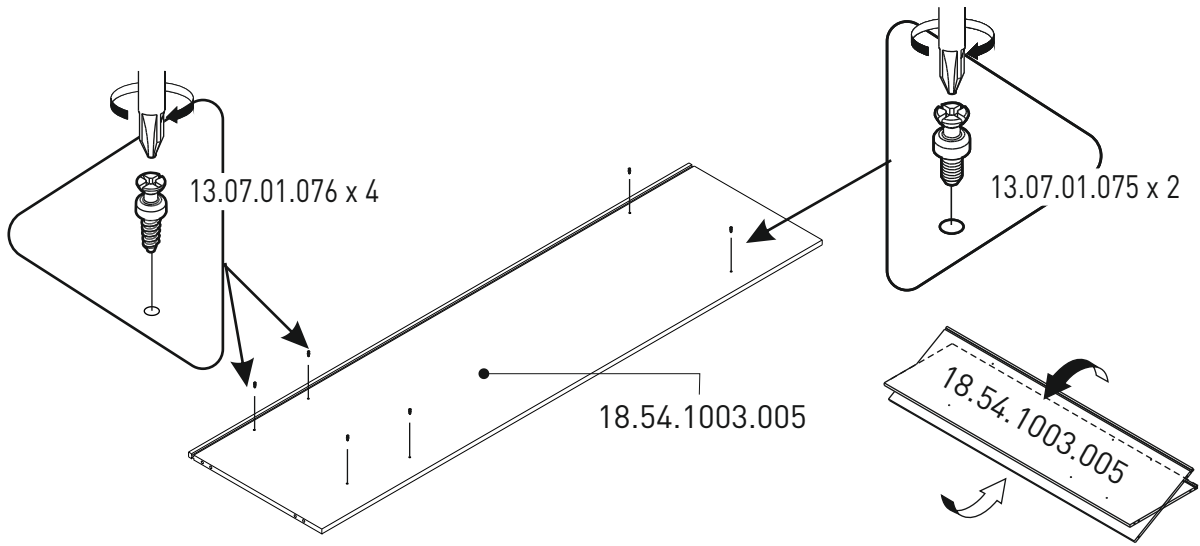
5



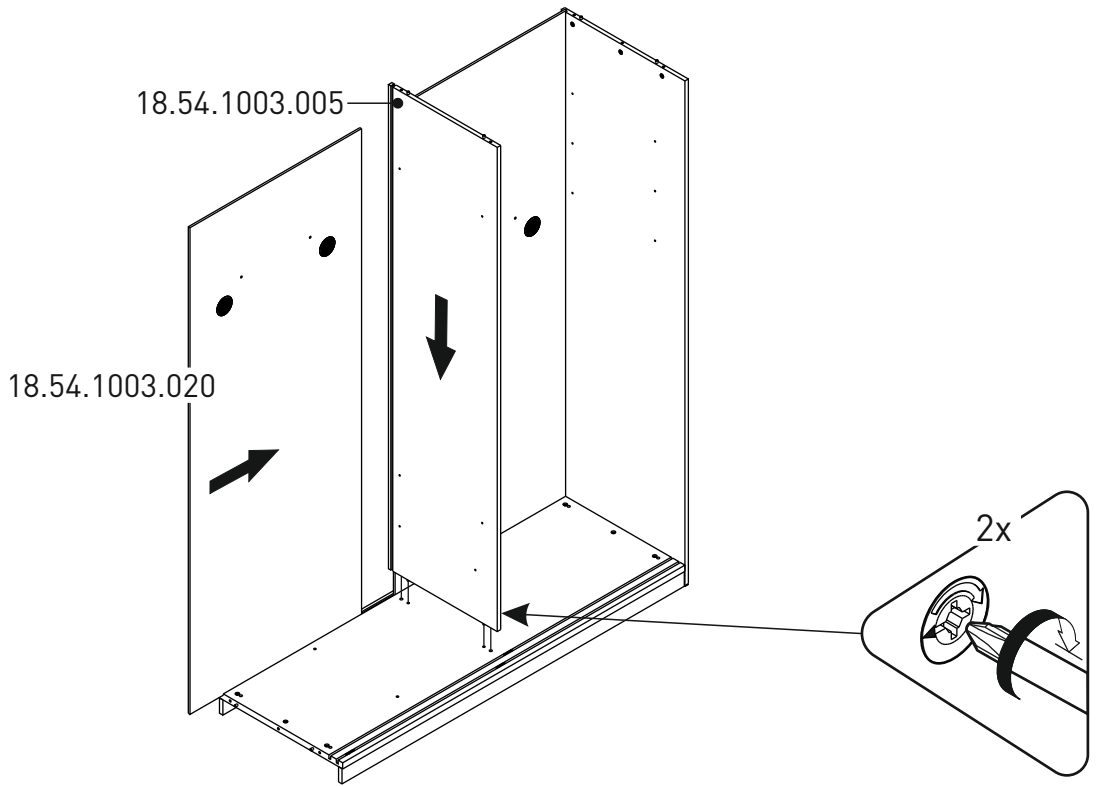
6



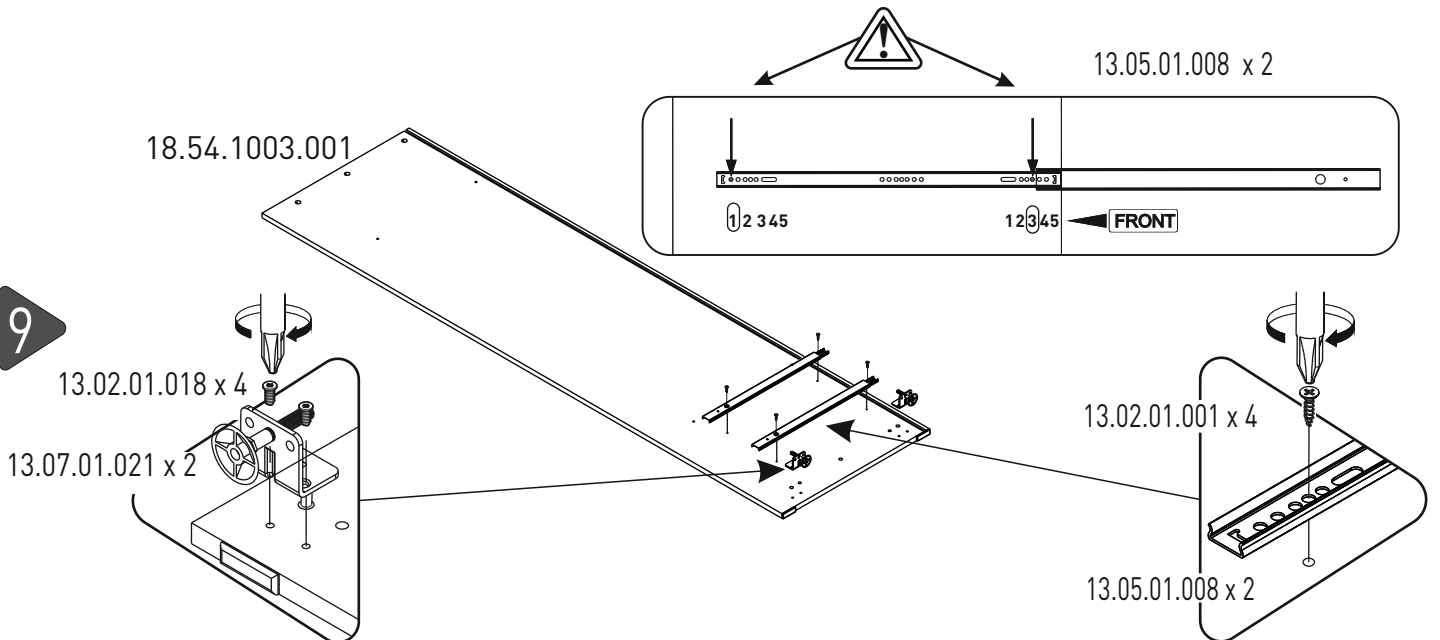
7



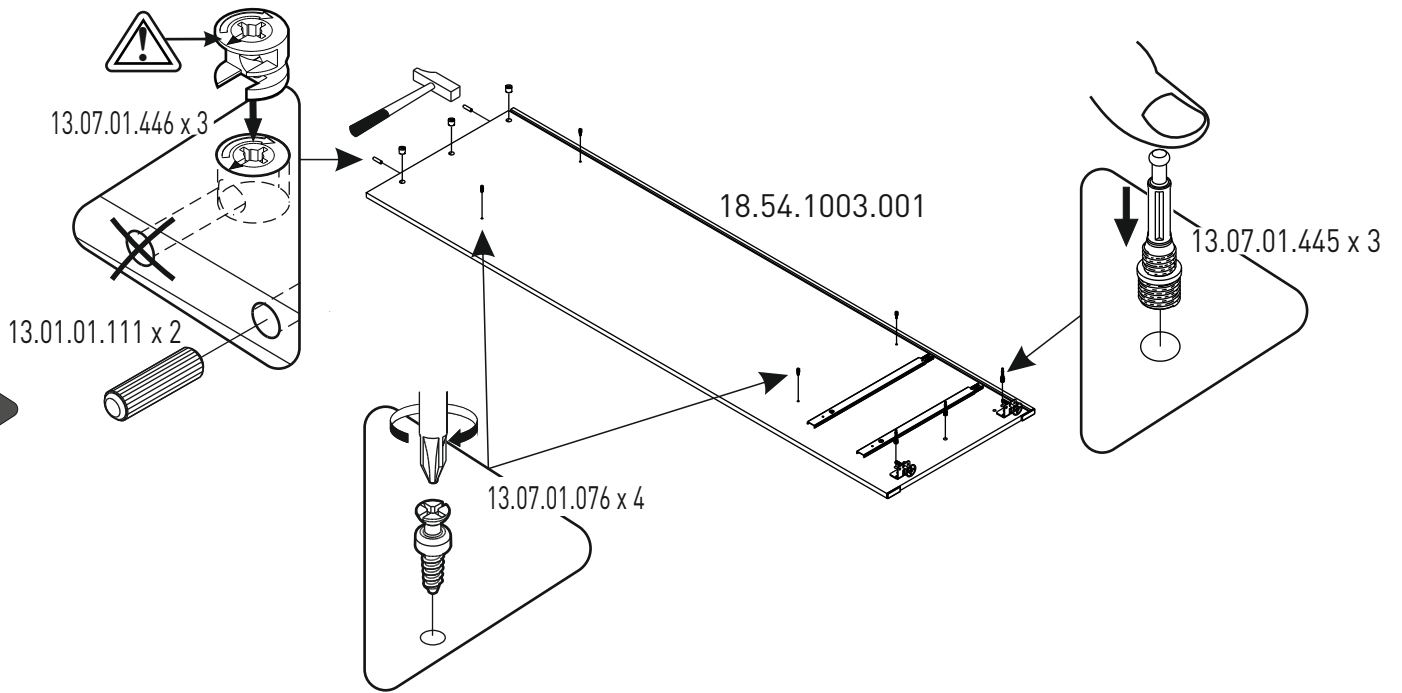
8



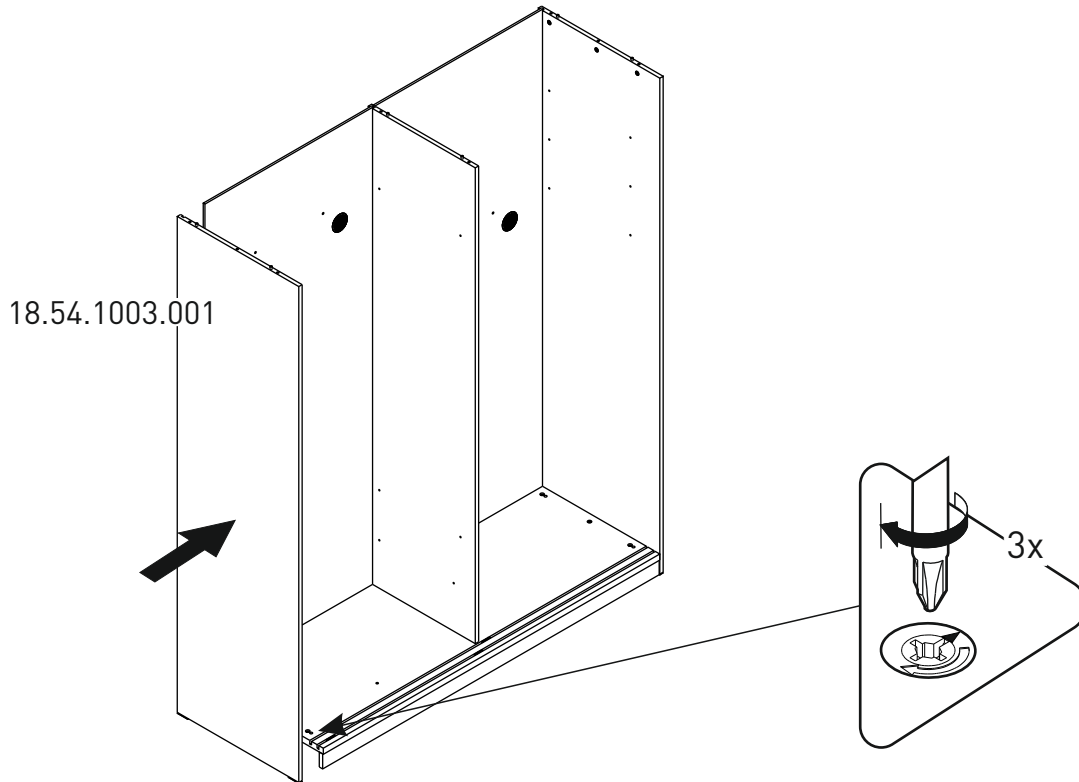
9



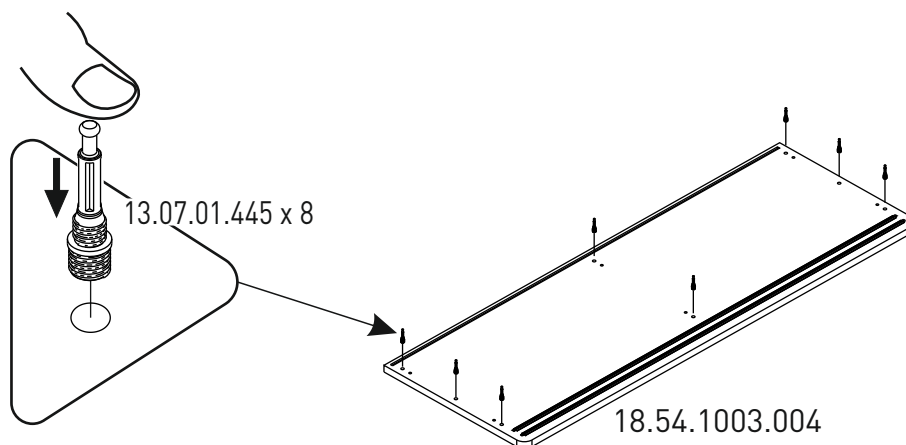
10



11

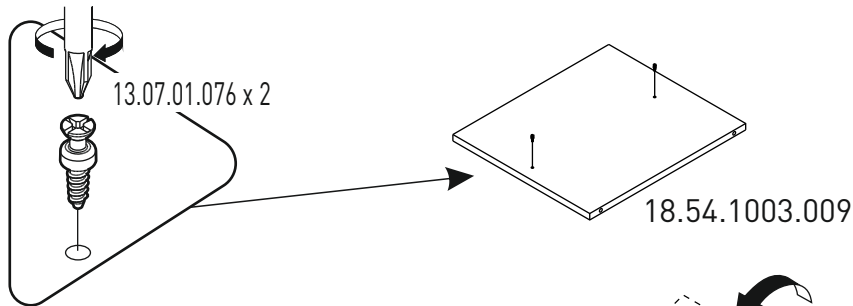
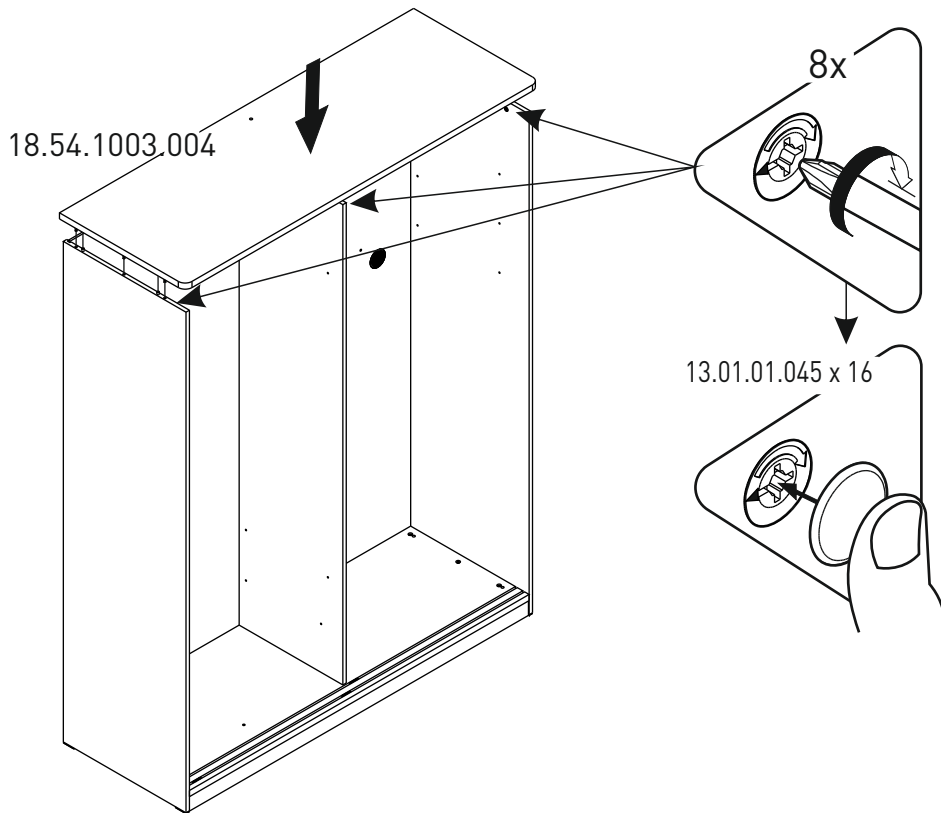


12

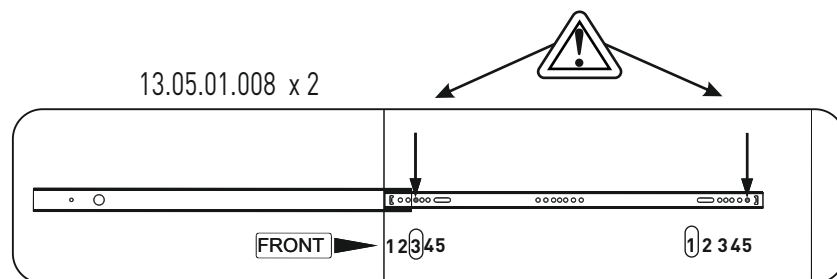
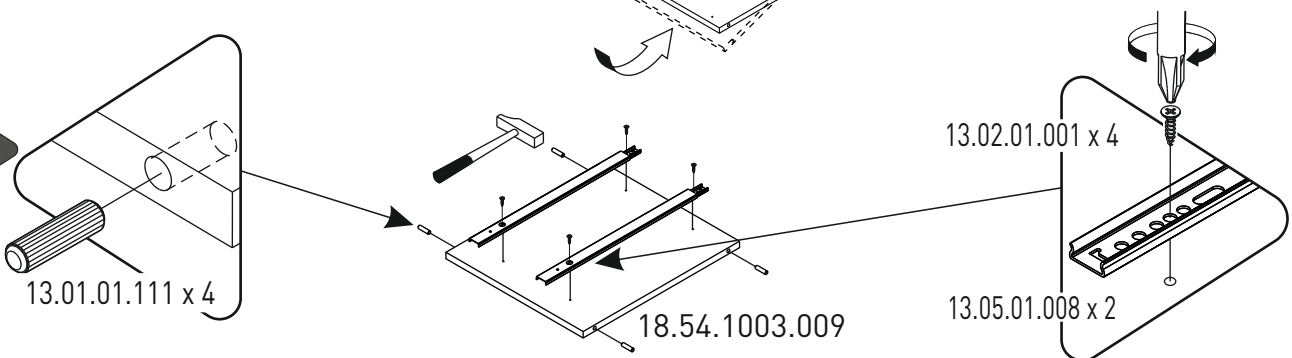




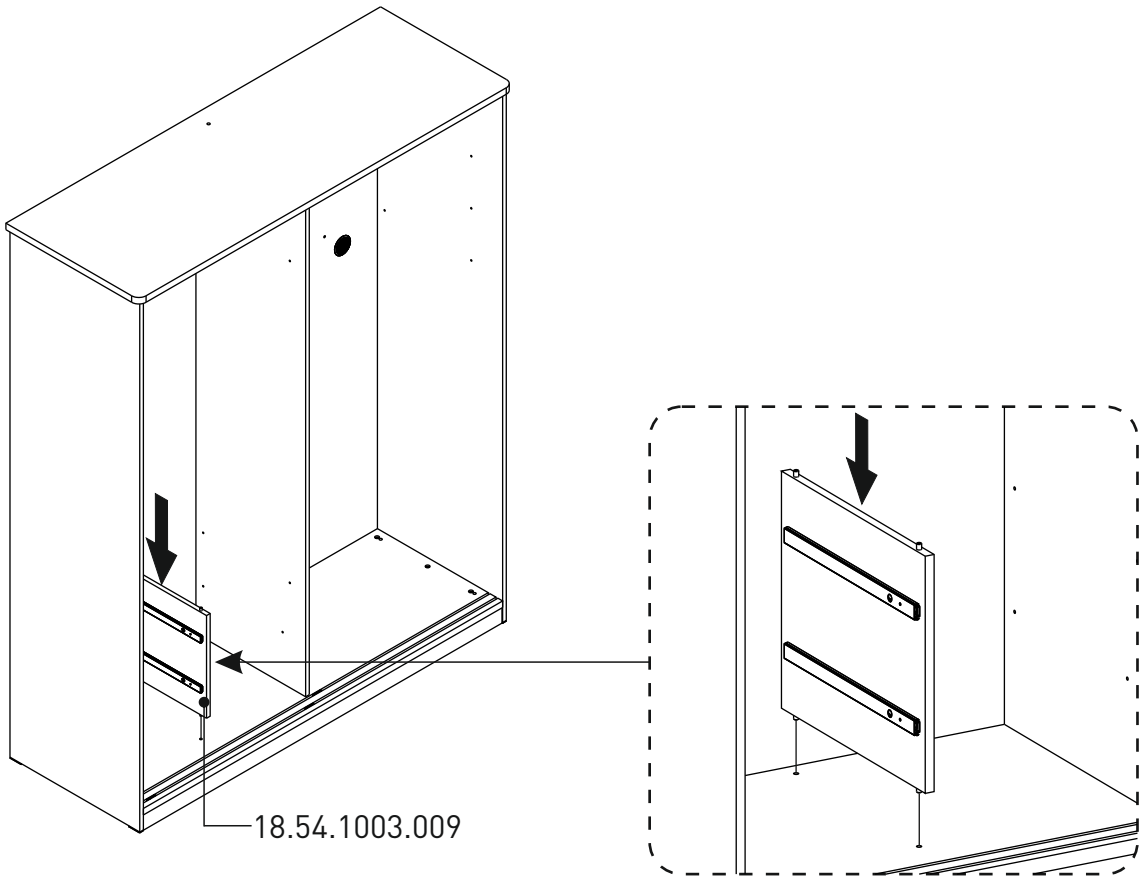
13



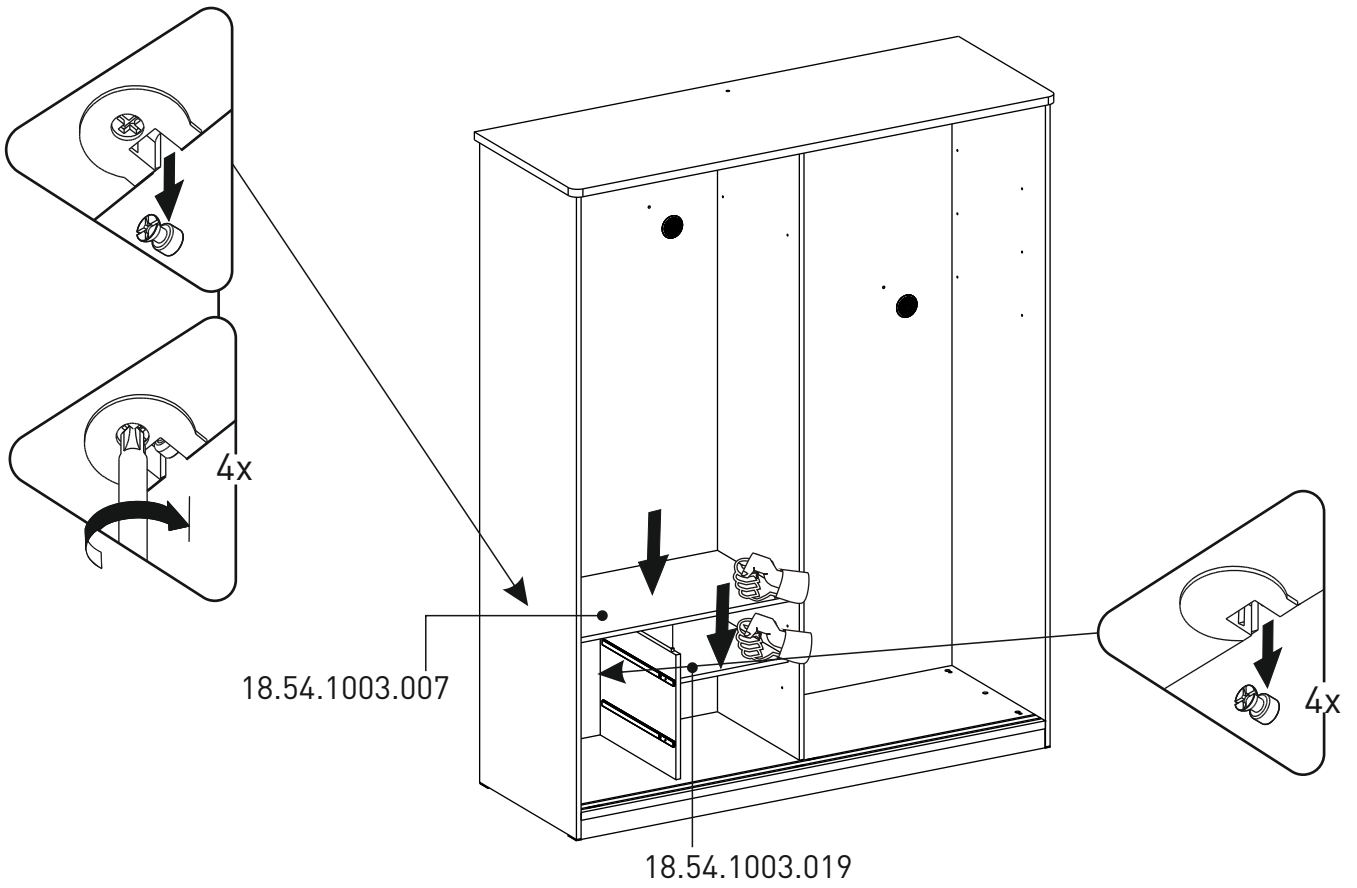
14



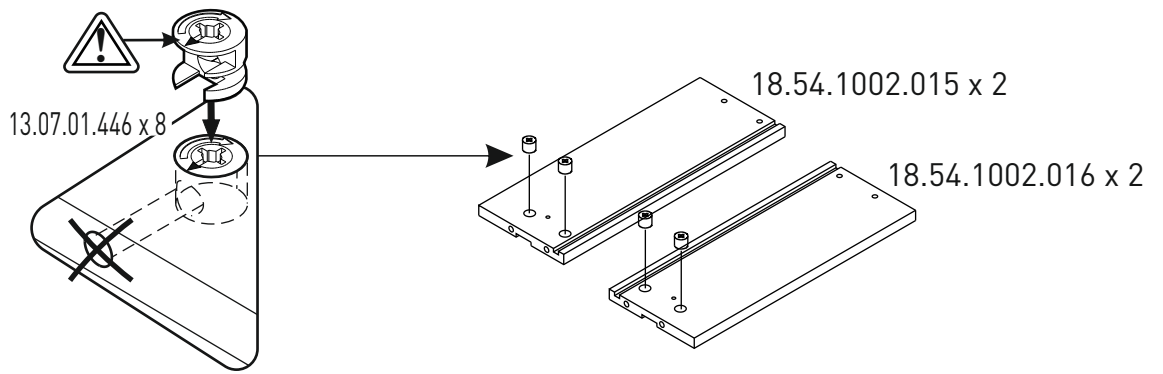
15



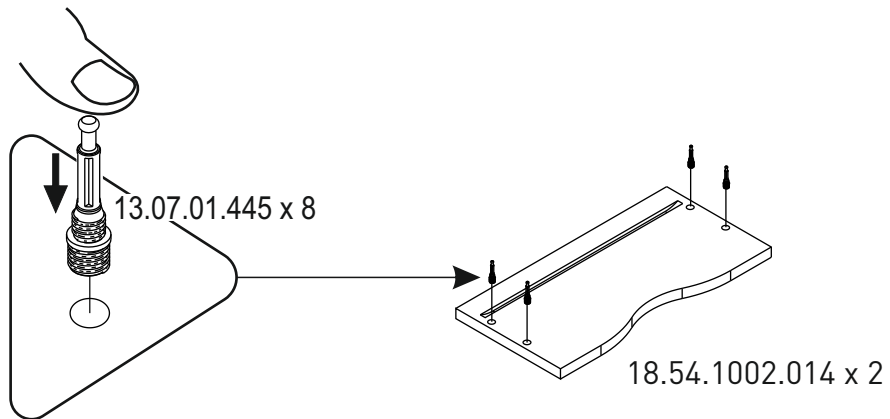
16



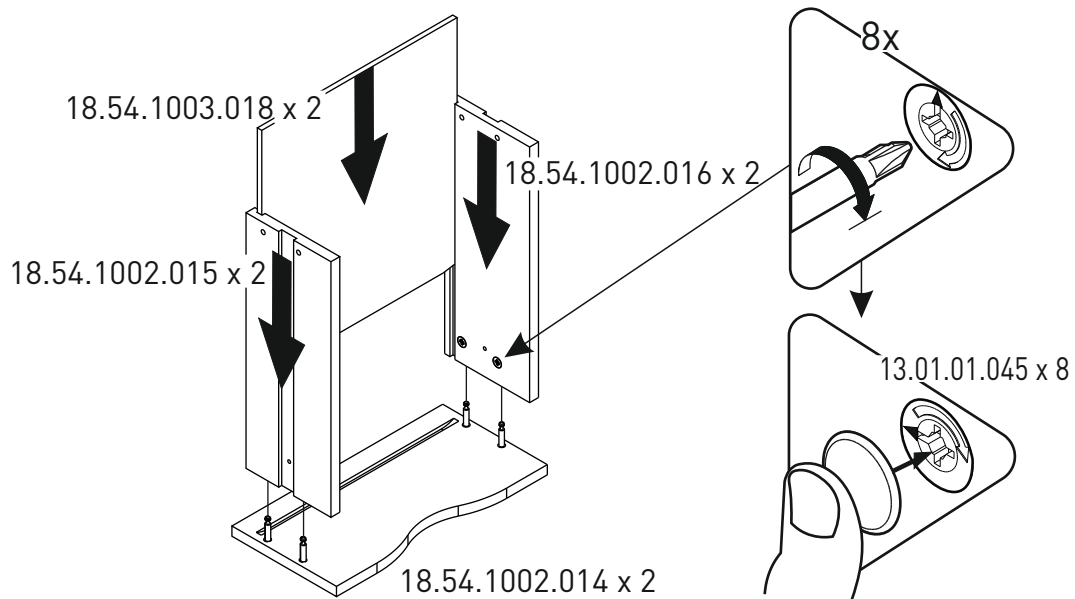
17



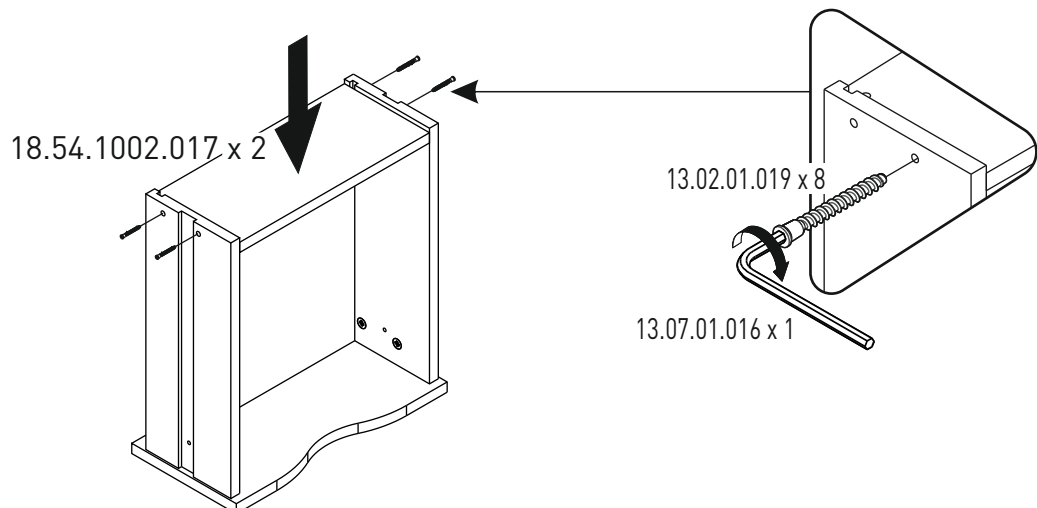
18



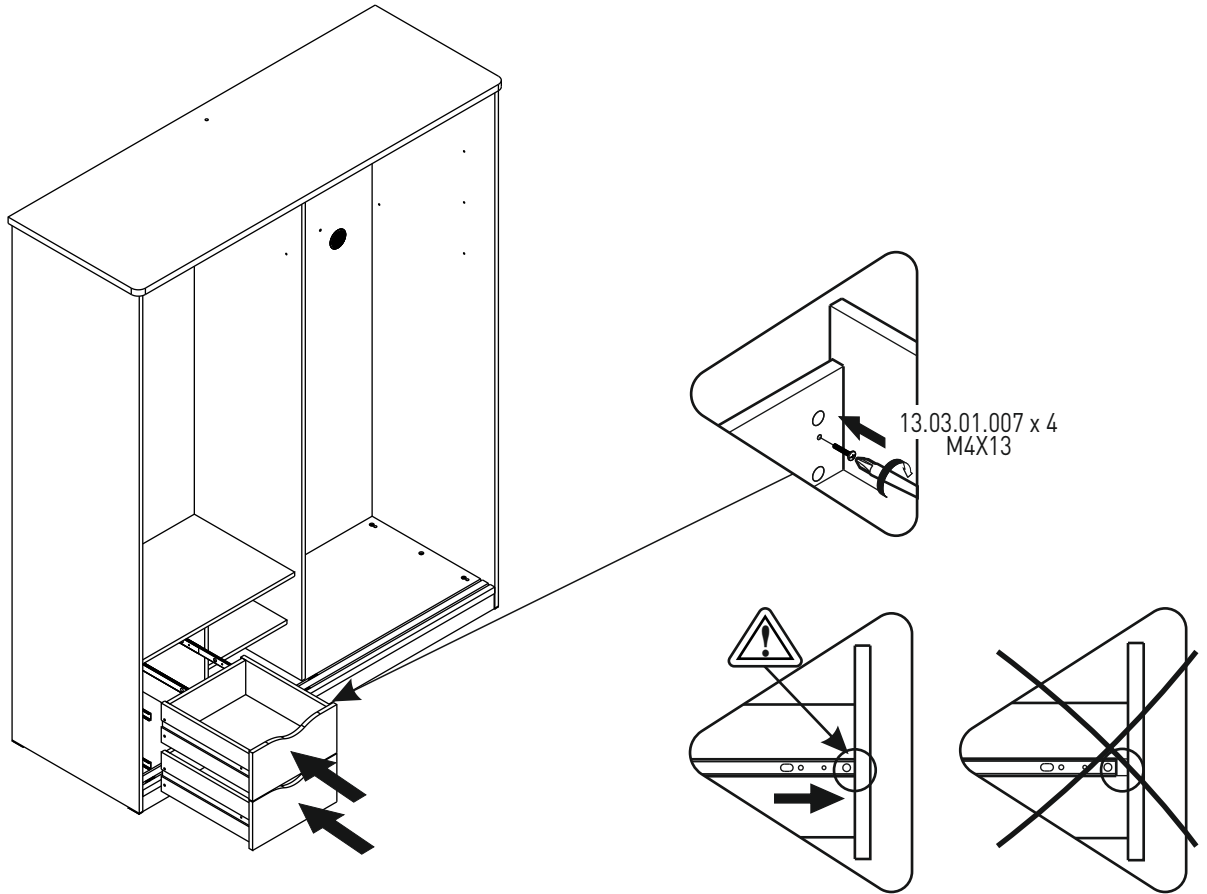
19



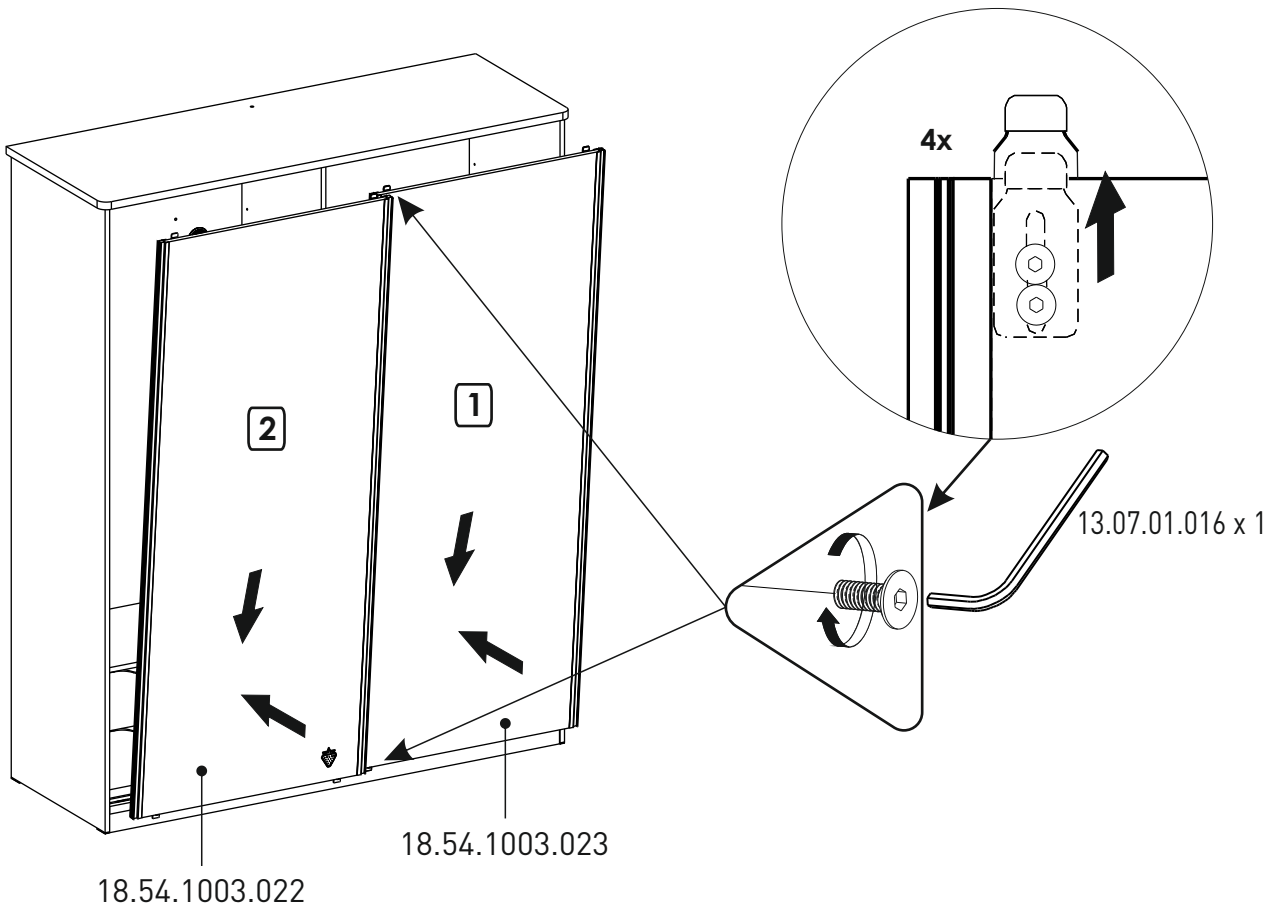
20



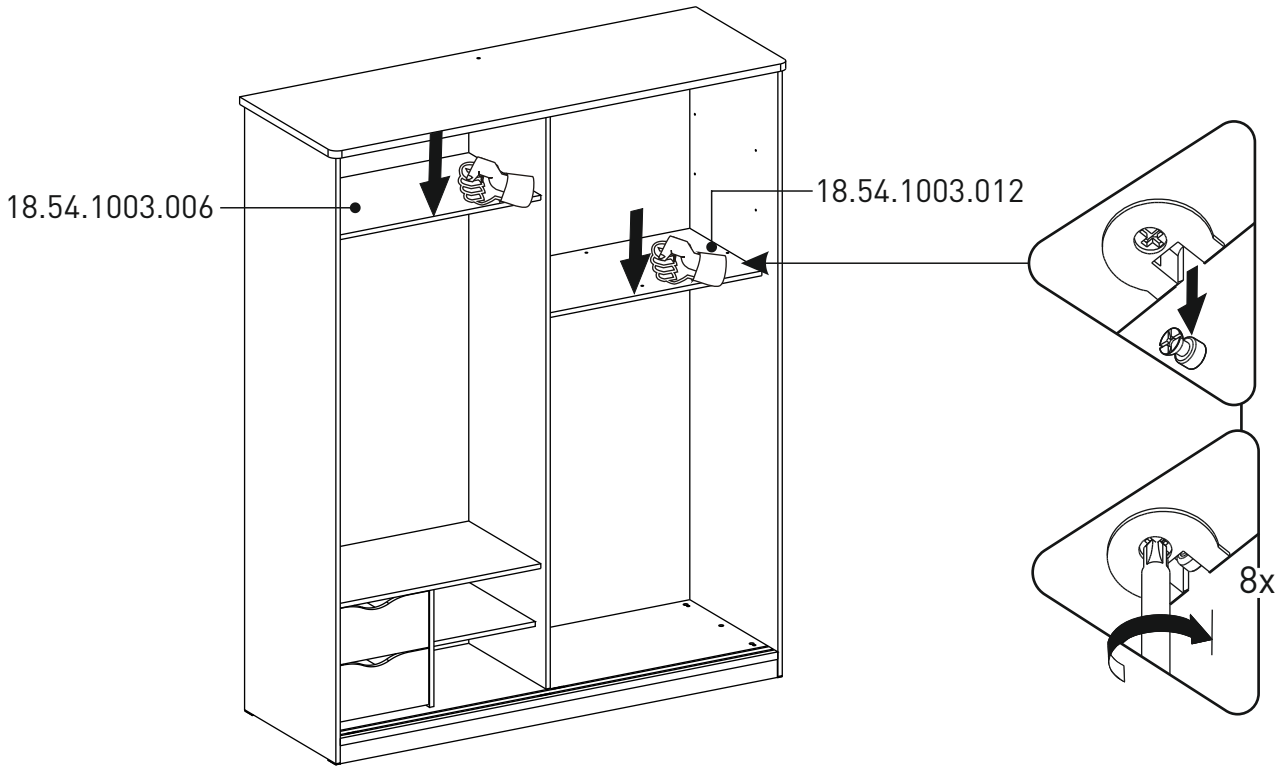
21



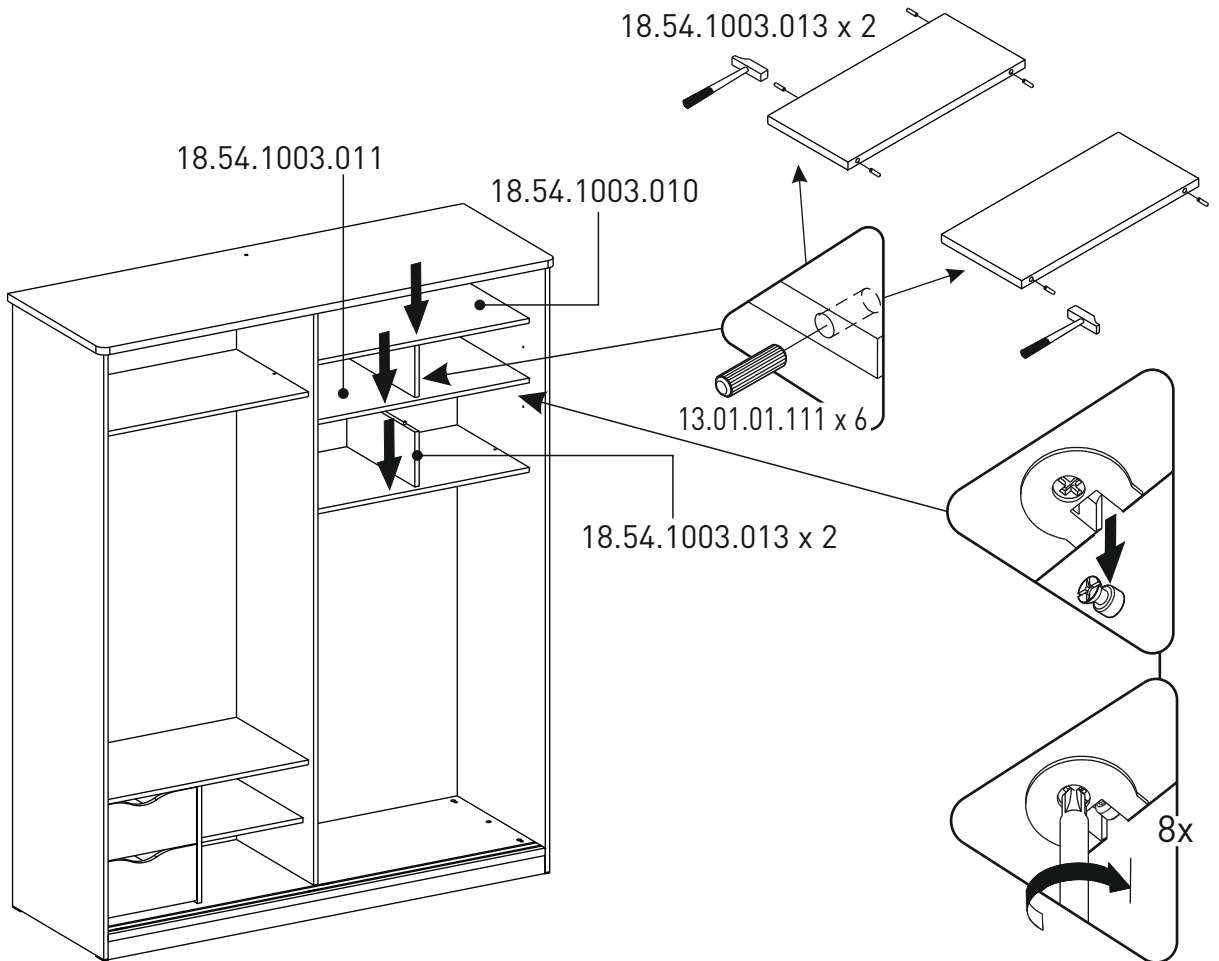
22



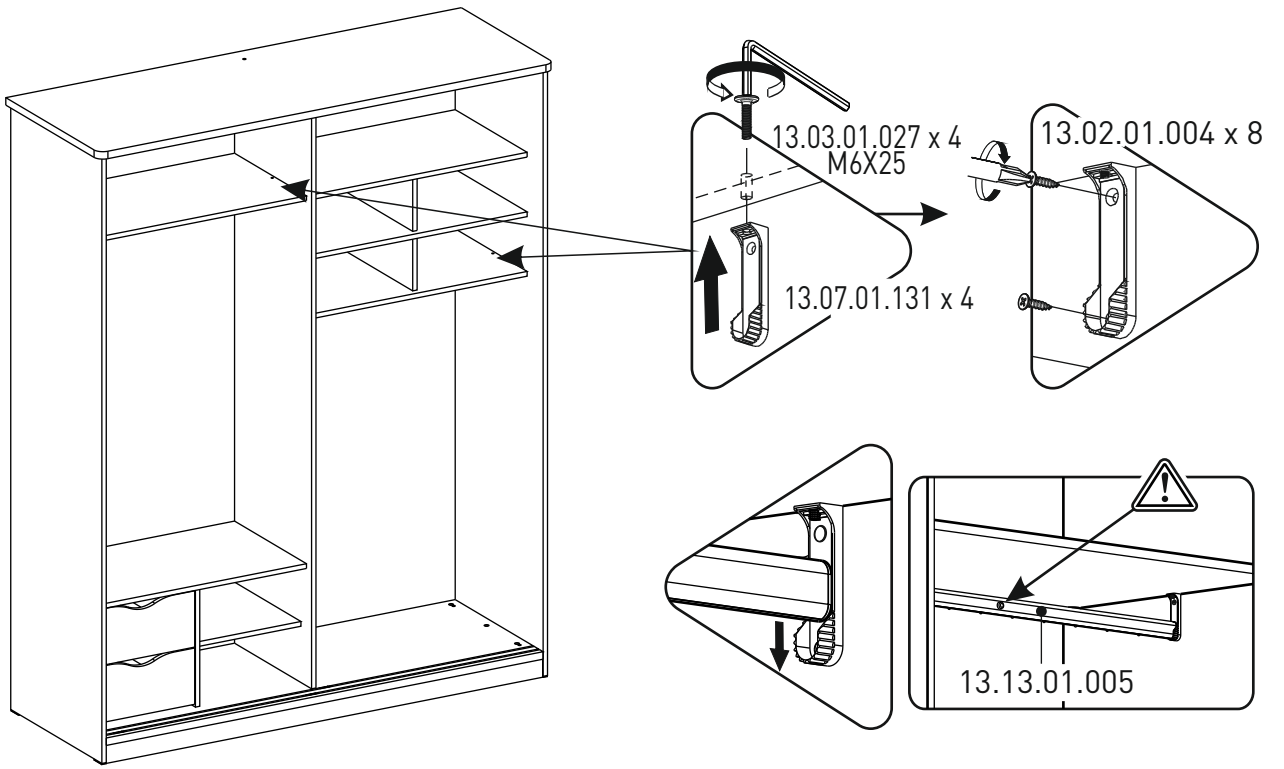
23



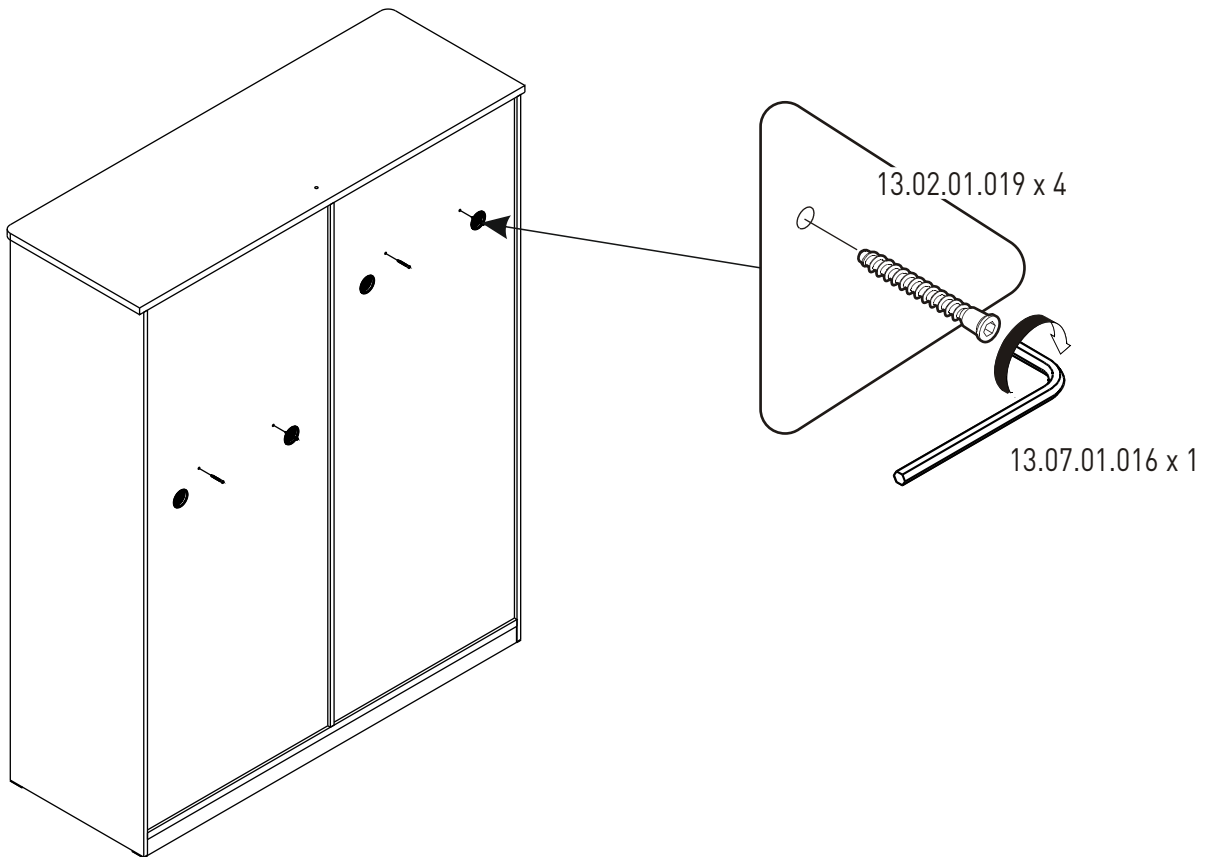
24

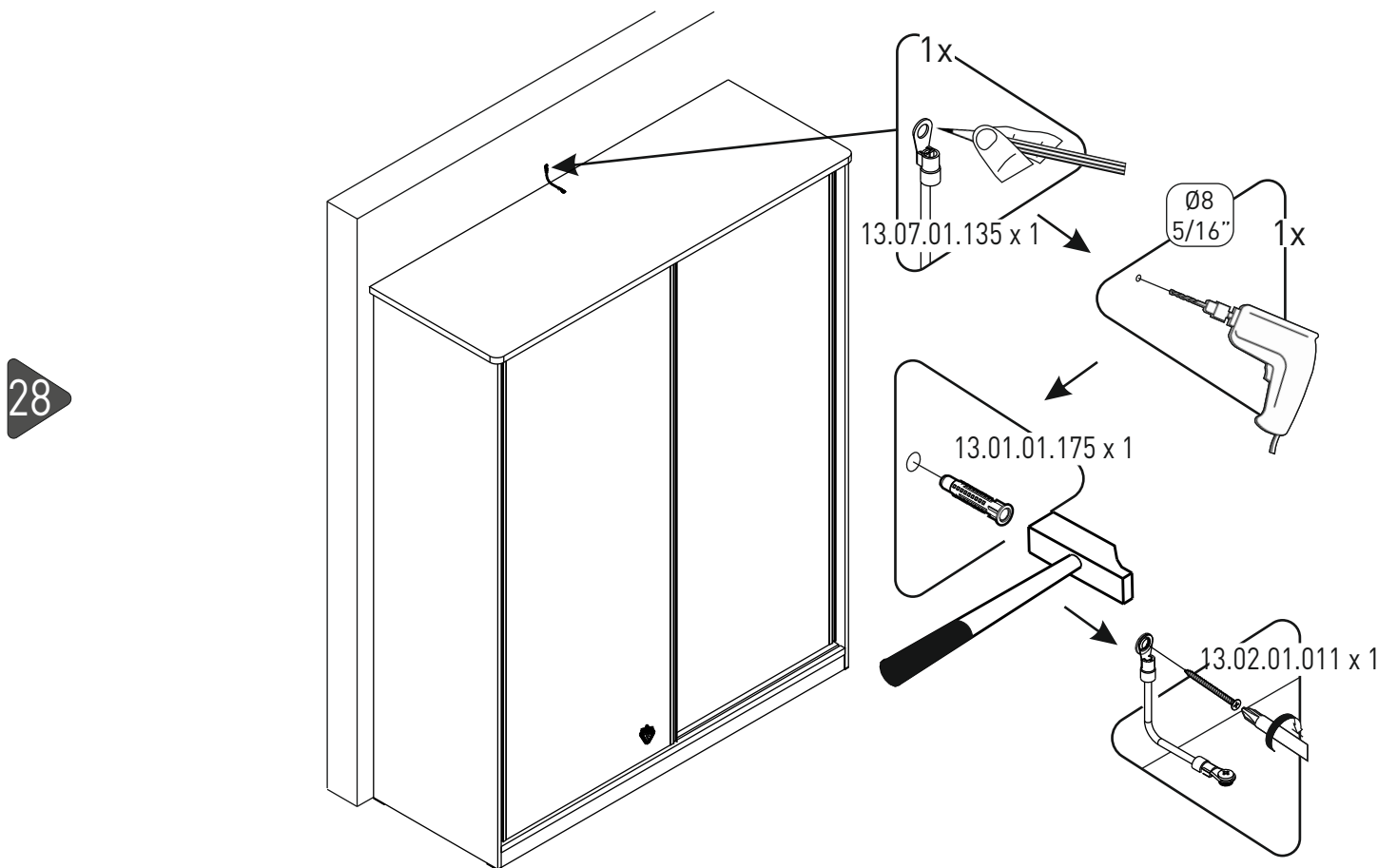
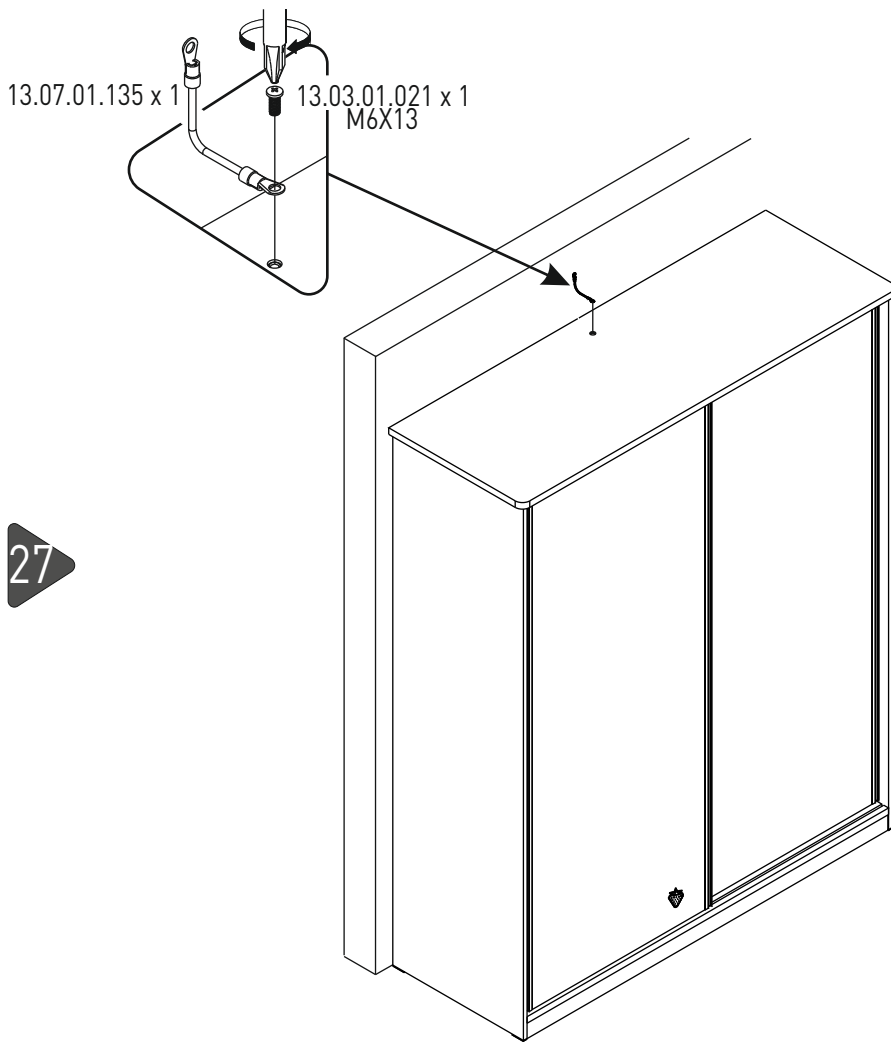


25

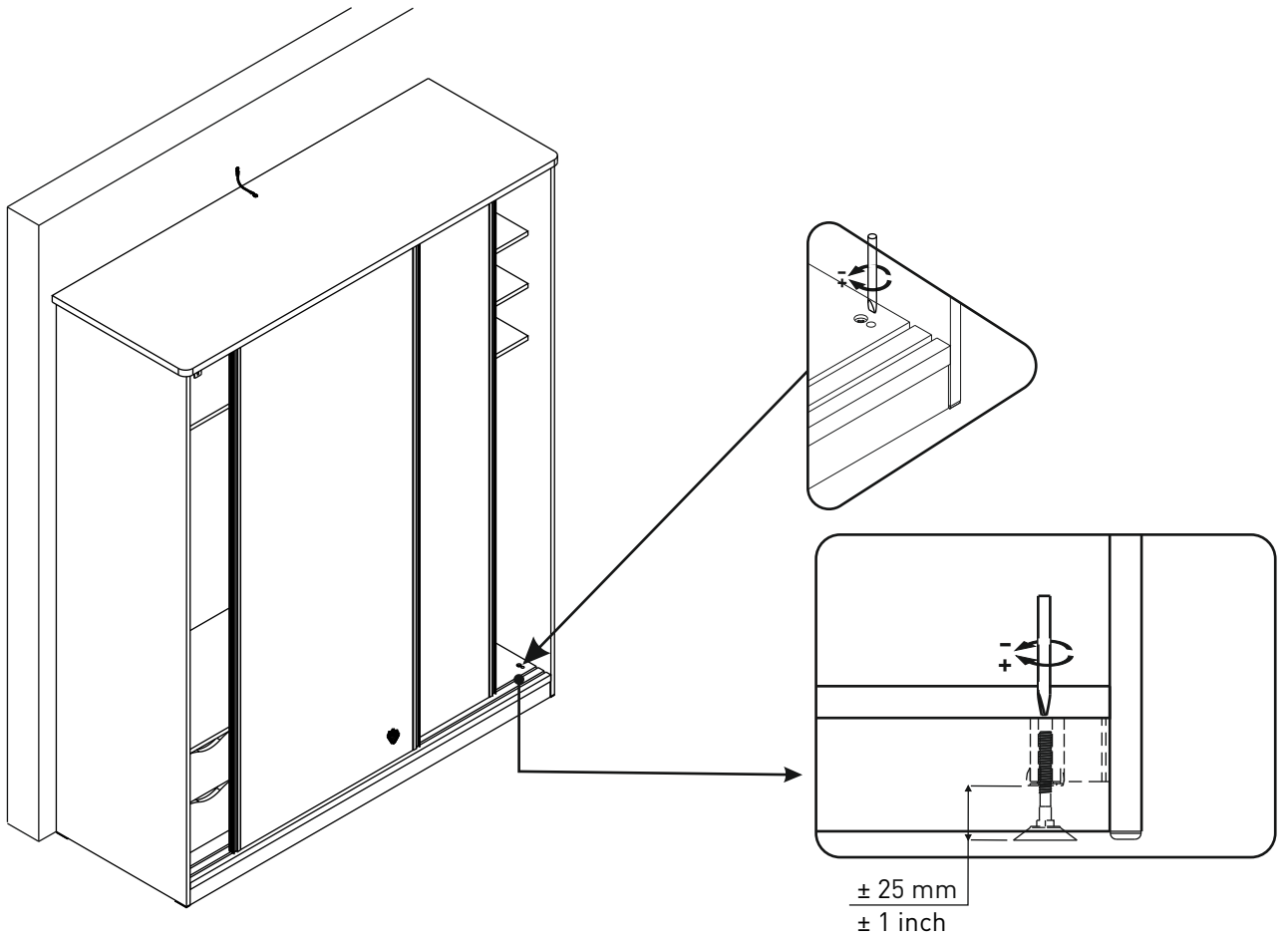


26





29



i

