

by **MMM**



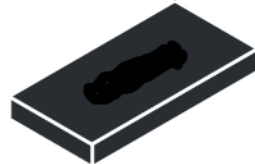
152 50 73000
ALTLIK / LOWER BED

EKİPMAN / EQUIPMENT

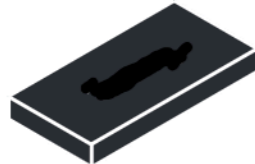


by **MMM**

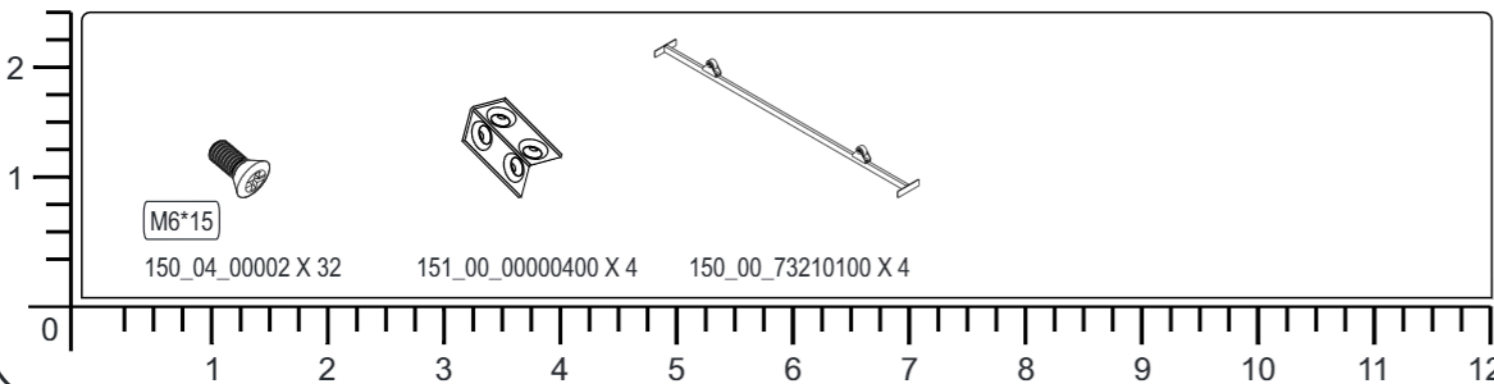
PAKET ADETİ / PACKET QTY.



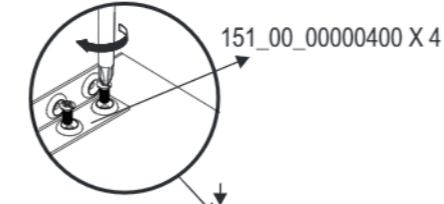
2/1
ALTLIK GÖVDE
LOWER BODY



2/2
ALTLIK MALZEME KUTUSU
LOWER BOX EQUIPMENT



150_04_00002 X 32



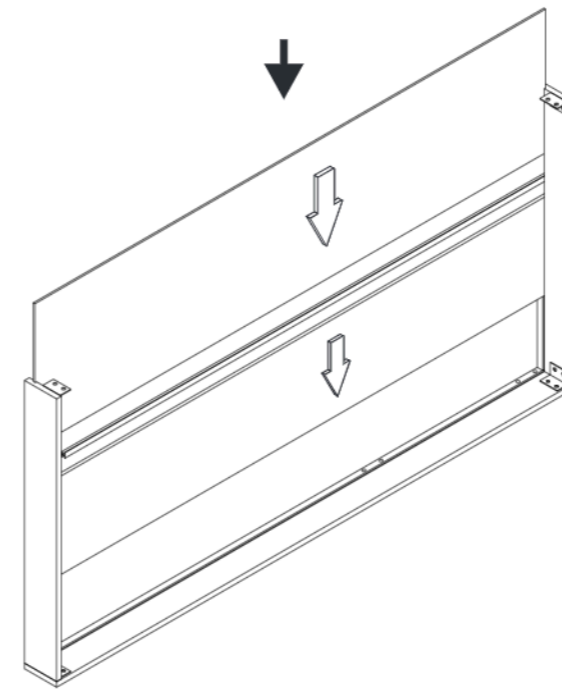
SOL YAN
LEFT SIDE

SAG YAN
RIGHT SIDE

ARKA TAHTA
BACK BOARD

151_00_00000400 X 4

150_04_00002 X 32

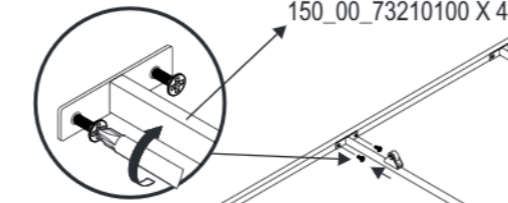


ÖN TAHTA
FRONT BOARD

150_04_00002 X 32

151_00_00000400 X 4

150_04_00002 X 32



151_00_73210100 X 4

